

MIMO Directional Panel Antenna OP0738-0865-4P

Used in 2G/3G/4G/5G system

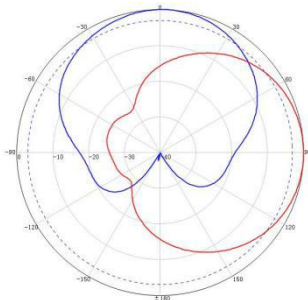
Electrical specifications

Frequency range (MHz)	698~960	1710~2700	3300~3800
Polarization	±45°		
Gain (dBi)	6 ± 1	8 ± 1	8 ± 1
Horizontal beam width (°)	80 ± 15	60 ± 15	65 ± 15
Vertical beam width (°)	75	55	40
Front-to-back ratio (dB)	≥ 20	≥ 25	≥ 20
Cross-polar discrimination (dB)	/		
Isolation (dB)	≥ 18	≥ 20	≥ 25
Impedance (Ω)	50		
VSWR	≤ 1.8		
Intermodulation IM3 (2×43dBm carrier)	≤ -150 dBc		
Maximum power (W)	50		
Lighting protection	DC Ground		

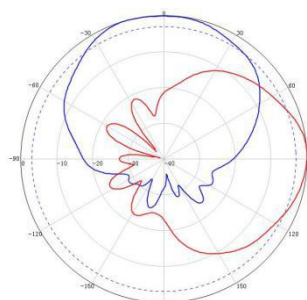
Mechanical specifications

Connector	4*4.3-10 Female or 4* N-Female
Connector position	Bottom
Exposed cable size (cm)	30(or customer requirement)
Height/width/depth (mm)	410*305*84
Packing size (mm)	480*370*180
Weight (kg)	2
Radome material	ABS
Radome color	White (RAL9003)
Operating temperature (°C)	-40~60
Application	Indoor
Mounting	Wall Mounting

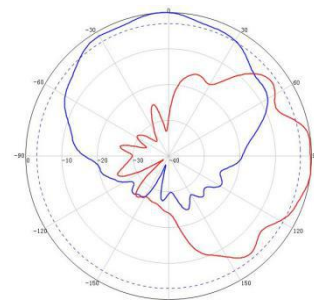
698~960MHz: ±45° Pol.



1710~2700MHz: ±45° Pol.



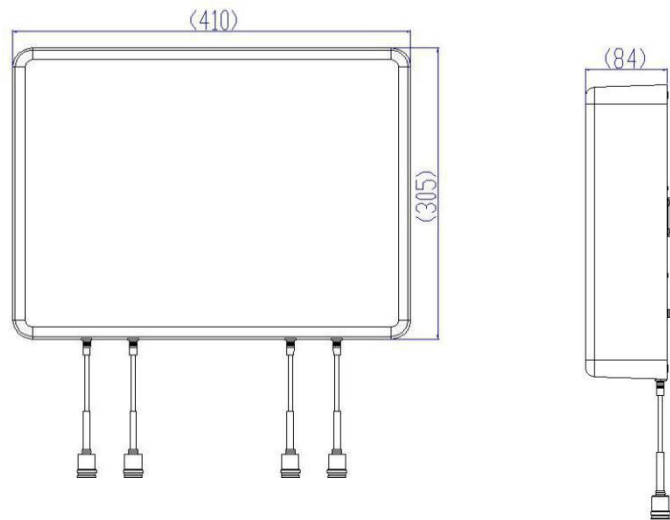
3300~3800MHz: ±45° Pol.



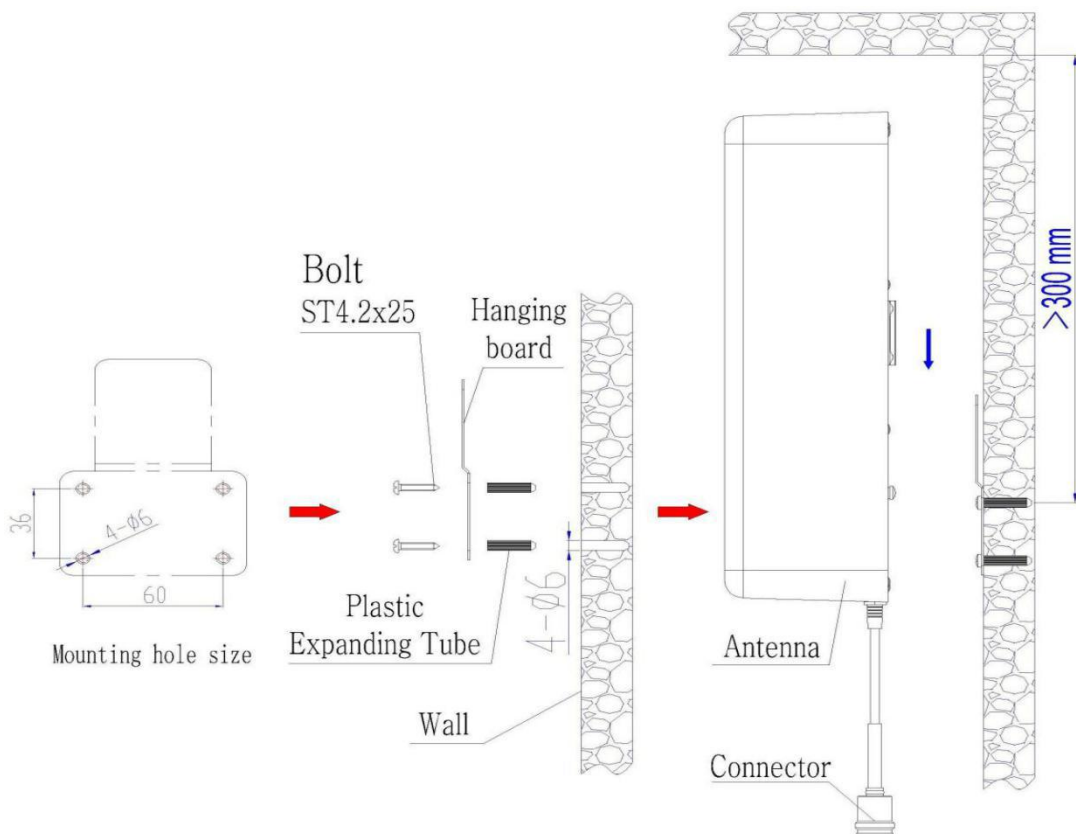
Product pictures



Product size



Installation Sketch



1. Position and fix the mounting plate onto the wall with the countersunk self-tapping screws M4.2×25 and plastic accessories.
2. Finish the installation by matching the clamp piece on the antenna base plate to the mounting plate hanger.